

# PROMATION ENGINEERING

Precision Actuation for Industry.

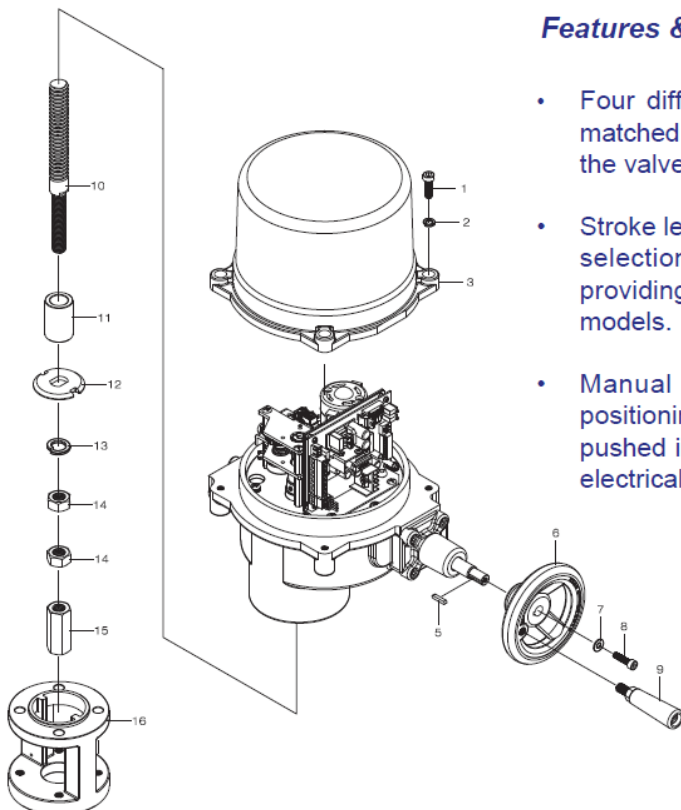
... Partners, Above and Beyond

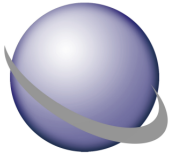
## PL Series Linear Non-Spring Return Up to 100mm stroke (4") Up to 4400 lbs Linear Force



### Features & Benefits:

- Four different output forces provide for a more closely matched actuator/valve combination.....without over-driving the valve or exceeding it's capabilities.
- Stroke lengths from 20mm through 100mm allow actuator selection to match valve stem travel requirements..... providing exceptionally close resolution on proportional models.
- Manual Override allows for fast and simple manual positioning of the valve stem. The handwheel is simply pushed in to engage the override system and disconnect electrical control of the actuator.
- External Stem-Area visual position indicator provides easily read and instantly available stem position.
- Stem Force remains constant even as valve seat surfaces wear.....no need for recalibration over time.
- Universal bonnet mounting is easily adaptable to most manufacture valves and dampers.





# PROMATION ENGINEERING

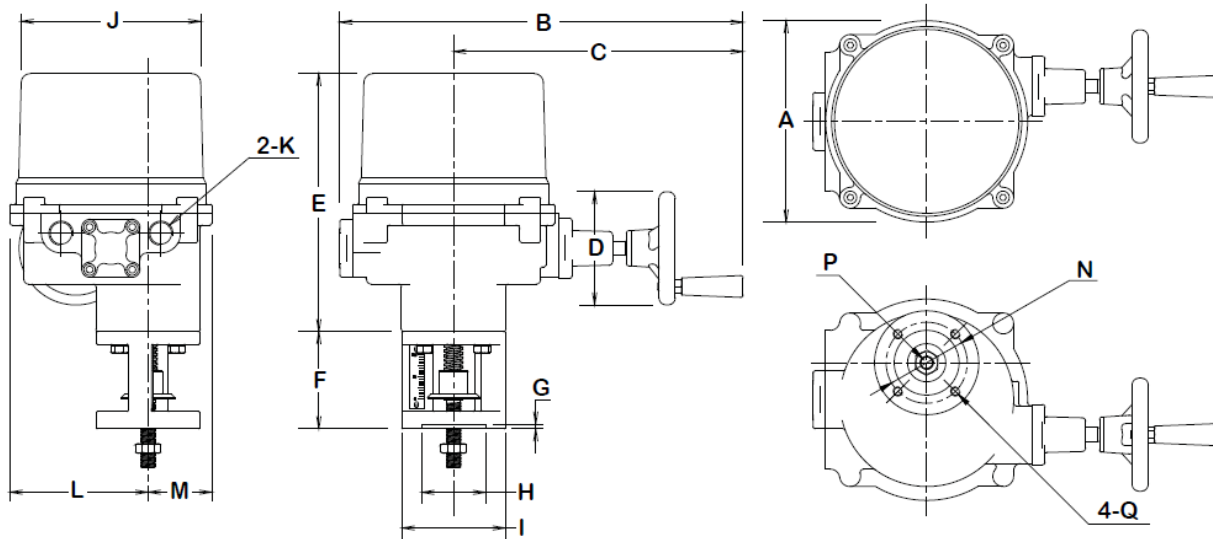
Precision Actuation for Industry.

... Partners, Above and Beyond

## Linear Series Product Range

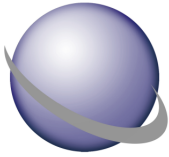
Model	Force (Down & Up)	Stroke Length	Full Travel Time (s)	120V RUN	120V LRA	230V RUN	230V LRA	24V RUN	24V LRA	Weight
PL550	550 lbs / 250 kg	50mm	30	0.5	0.8	0.4	0.5	0.7	2.4	18 lbs / 8 kg
PL1100	1100 lbs / 500 kg	50mm	30	0.5	0.8	0.4	0.4	0.7	2.4	18 lbs / 8 kg
PL2200	2200 lbs / 1000 kg	100mm	50	0.5	0.7	0.3	1.5	1.3	2.5	50 lbs / 22.5 kg
PL4400	4400 lbs / 2000 kg	100mm	50	0.4	0.7	0.3	1.5	0.7	4.0	50 lbs / 22.5 kg

## Linear Series Dimensional Data



Model No	F (Dim vs. Stroke Length)				
	20mm	38mm	50mm	75mm	100mm
PL550	84	84	96		
PL1100	84	84	96		
PL2200		122	122	192	192
PL4400		122	122	192	192

Model No	A	B	C	D	E	G	H	I	J	K	L	M	N	P	Q	Flange Type
PL550	174	349	250	Ø98	223	4	Ø55	Ø90	Ø155	$\frac{3}{4}$ EMT	119	55	Ø70	M12*1.75	M8*1.25	F07
PL1100	174	349	250	Ø98	223	4	Ø55	Ø90	Ø155	$\frac{3}{4}$ EMT	119	55	Ø70	M12*1.75	M8*1.25	F07
PL2200	254	465	319	Ø123	326	4	Ø70	Ø125	Ø218	$\frac{3}{4}$ EMT	176	78	Ø102	M20*2.5	M10*1.5	F10
PL4400	254	465	319	Ø123	326	4	Ø70	Ø125	Ø218	$\frac{3}{4}$ EMT	176	78	Ø102	M20*2.5	M10*1.5	F10



# PROMATION ENGINEERING

*Precision Actuation for Industry.*

*... Partners, Above and Beyond*



Due to our policy of continual product enhancement, ProMation Engineering reserves the right to make changes at any time to this and all of our product lines. Please check our website for latest versions of this document, or contact [sales@promotionei.com](mailto:sales@promotionei.com).



## PROMATION ENGINEERING

*Precision Actuation for Industry*