

PROMATION ENGINEERING

Precision Actuation for Industry

FIELD TECHNICAL BULLETIN

In an effort to be more consistent in the field wiring of our devices, positive switching is now used on all our quarter-turn, low voltage, on/off DC actuators. All of our 12V and 24V, AC and DC products are now switched on the hot leg. Additionally, a single 24V model can now be used for either AC or DC power supplies (on/off models only). The change will take effect immediately.

AS ALWAYS, CHECK THE WIRING DIAGRAM ON THE INSIDE OF THE ACTUATOR ENCLOSURE TOP TO INSURE PROPER WIRING.

We will continue to support our negative switching products that have been deployed in the field.

TECHNICAL CHANGE IN WIRING

24VDC products will now be wired in the field so that the positive leg of the line power will drive the direction of the actuator through the switch card terminals. Proportional control products are not affected.

This is the opposite of wiring of previous products.

IDENTIFICATION OF PRODUCT

The Positive Switched Boards are blue in color; negative switched control boards are green in color. The Positive Switched Product Nomenclature is shown below with the products being replaced.

Positive Switching Nomenclature					Negative Switching Nomenclature				
Product Family	Voltage	NEMA 4	Current		Product Family	Voltage	NEMA 4	Current	
P1	- 12	N4	+ AC		P1	- 12	N4	- AC	
P1	- 12	N4	+ DC		P1	- 12	N4	- DC	
P1	- 24	N4	+ ACDC		P1	- 24	N4	- AC	
P1	- 24	N4	+ ACDC		P1	- 24	N4	- DC	
P2~6	- 12	N4	+ AC		P2~6	- 12	N4	- AC	
P2~6	- 12	N4	+ DC		P2~6	- 12	N4	- DC	
P2~8	- 24	N4	+ ACDC		P2~8	- 24	N4	- AC	
P2~8	- 24	N4	+ ACDC		P2~8	- 24	N4	- DC	

Tech Bulletin-Positive Switching Ver A 030216



PROMATION ENGINEERING

Precision Actuation for Industry

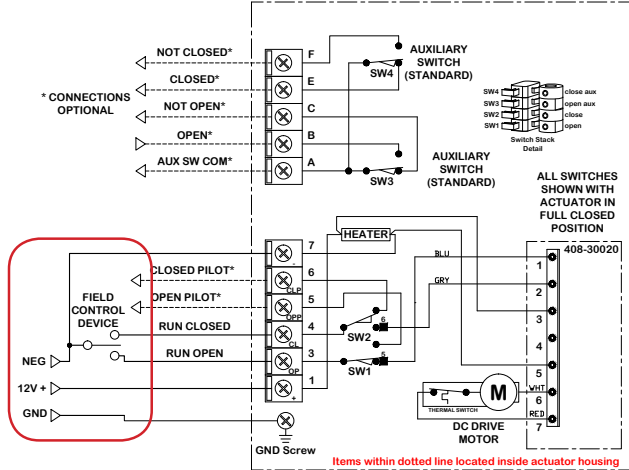
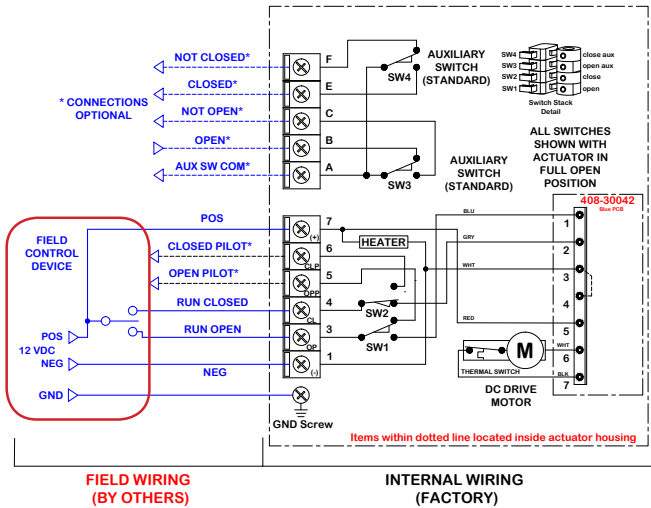
SAMPLE WIRING DIAGRAMS

DC Line connections are opposite of wiring of previous products.

P1 Series

Positive Switching

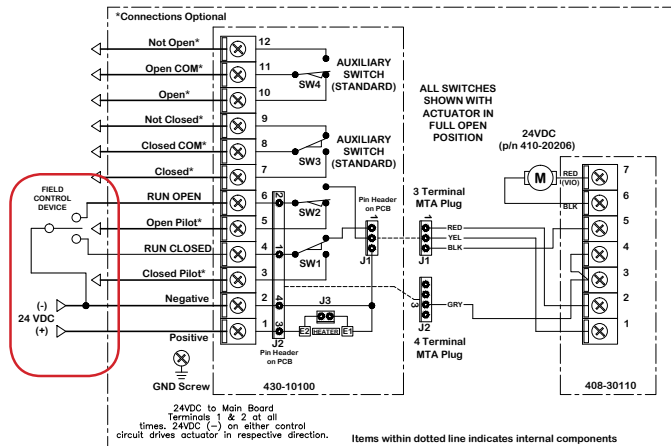
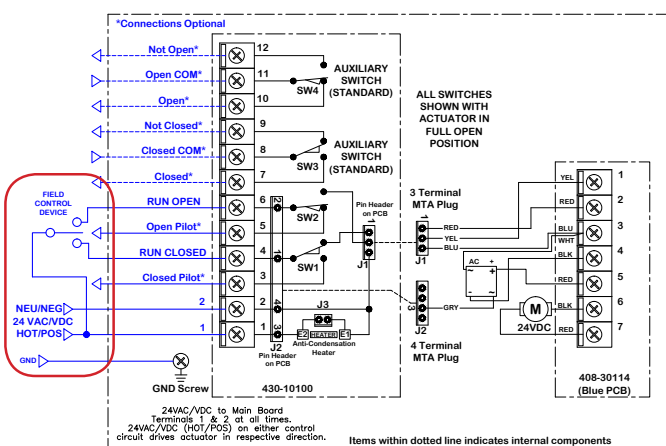
Negative Switching



P2~8 Series

Positive Switching

Negative Switching



Always refer to the appropriate wiring diagram for proper installation.